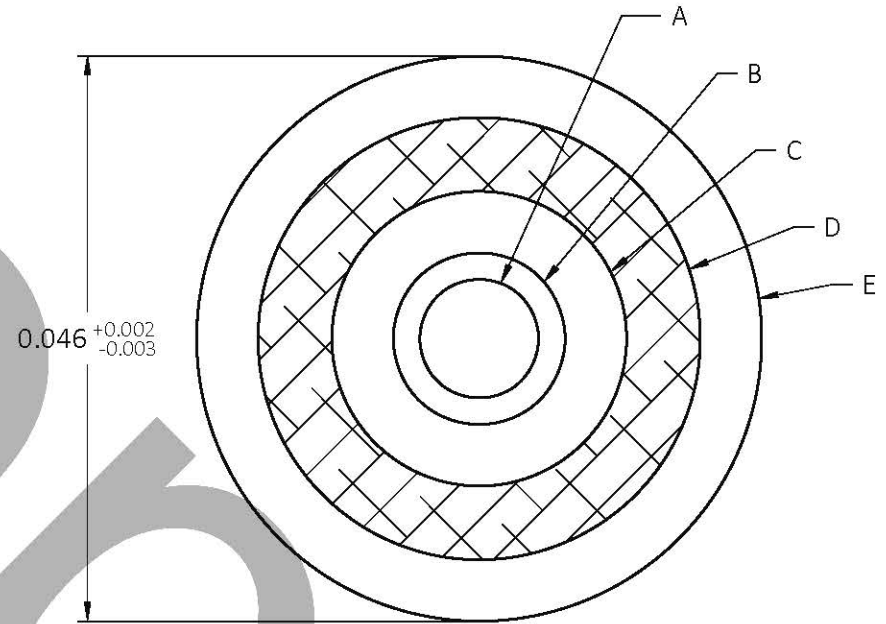


CONSTRUCTION (SINGLE-MODE FIBER OPTIC):


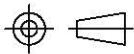
- A. FIBER: NUFERN R1310-HTA OPTICAL FIBER (125°C RATED)
- B. BUFFER: ePTFE
- C. INNER JACKET: (0.005) WALL BLUE FEP
DIAMETER: $0.024^{+0.002}_{-0.005}$
- D. STRENGTH MEMBER: KEVLAR®
- E. OUTER JACKET: BLUE FEP

REVISIONS			
Rev	Description	Date	Chg'd By
A	Changed Fiber Type and Removed Min. Shipping Lengths	01 AUG 2001	ED KOZ
B	EM2 ECO - 8711 D.Dixon	14 JAN 2019	TKG
C	EM2 ECO - 10272 T.Sharp	25 MAR 2021	DED



Kevlar® is a registered trademark of E. I. du Pont de Nemours and Company.

Valid only at time of printing

PARENTHESES DENOTE REFERENCE DIMENSIONS		UNLESS OTHERWISE SPECIFIED		W. L. GORE & ASSOCIATES, INC. (Gore) Performance Solutions Division 101 Lewisville Road, Elkton, MD 21921 410/392-3300 © 2001, 2021 W. L. Gore & Associates, Inc.				
DIMENSIONS ARE IN INCHES		.X	± N/A	 <p>By acceptance of this document you agree that all rights to drawings, specifications, processes and other data contained therein, as well as the proprietary and novel features of the subject matter, are reserved by Gore and are disclosed in confidence. They are not to be manufactured, used, sold or disclosed to others, nor are devices embodying such features or information derived from these disclosures to be used or disclosed, unless and until expressly authorized by Gore. These drawings, specifications, processes, etc., are and remain the property of Gore and are not to be copied or reproduced without express permission, and are to be returned upon request therefor.</p>				
DO NOT SCALE DRAWING		.XX	± N/A					
DEBURR SHARP EDGES		.XXX	± N/A					
		.XXXX	± N/A					
Third Angle Projection		FRACTIONS	± N/A					
INTERPRET DRAWING IN ACCORDANCE WITH ASME Y14.5M-1994 (R1999)		ANGLES	± N/A	Title 1.2mm SIMPLEX				
		SURFACE TEXTURE	N/A	Dwg Size	Sheet	Scale	Associated Documents	Drawn
		BREAKS AND FILLETS	N/A MAX	A	1 of 1	64:1	N/A	ED KOZ
				Rev Date	Drawing Number	Rev Level		
				25 MAR 2021	FON1253	C		13 JUN 2001